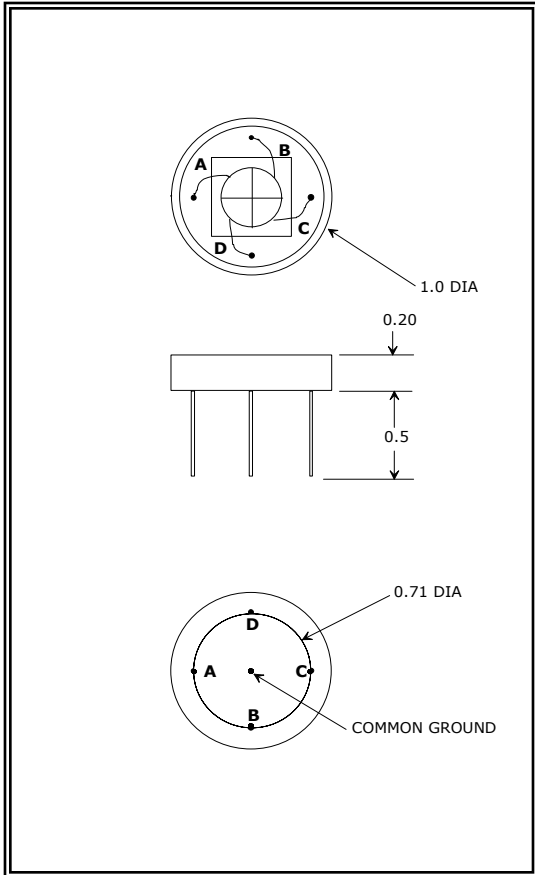
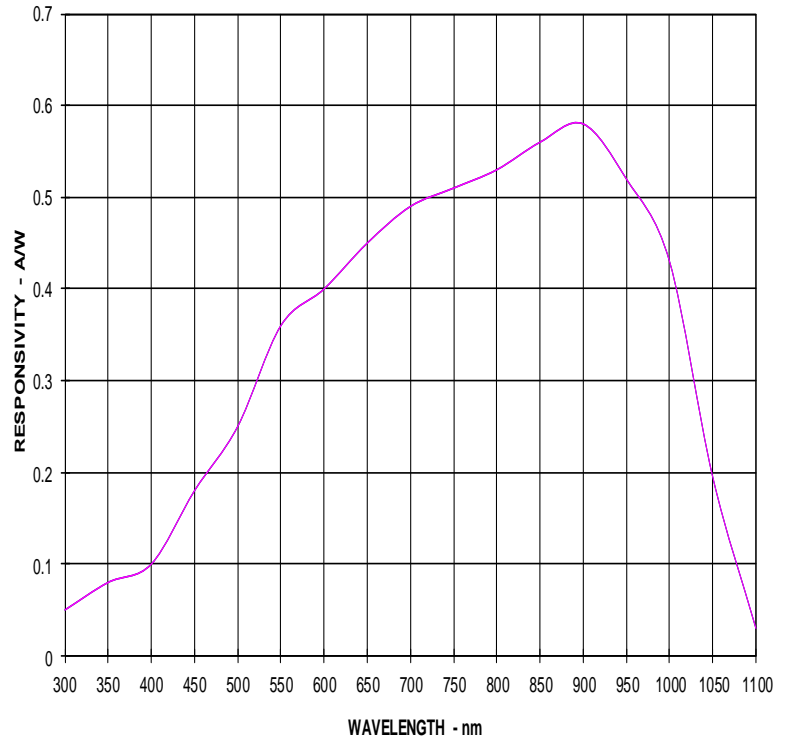


## SILICON QUADRANT DETECTOR



S-series PHOTODIODE  
Typical Spectral Response - 22C



### SPECIFICATIONS @ 23° C

Part Number	<b>S - 100 - QD</b>
Detector Type	<b>Silicon Photodiode</b>
Active Diameter (mm), Overall	<b>10 mm</b>
Operating Wavelength (nm)	<b>300 - 1100</b>
Shunt Resistance - ohms (Each Quadrant)	<b>&gt;100 M</b>
Shunt Capacitance (pF) (Each Quadrant)	<b>200 typ @ 0V ; 60 typ @ -10V</b>
Risetime, $R_i = 50$ ohms, -10V bias	<b>3 ns</b>
Responsivity (A/W)	<b>0.6 min @ 850 nm</b>
Dark Current (nA), -10V bias	<b>1.0 typ ; 10.0 max</b>
Noise Current (A/Hz <sup>1/2</sup> )	<b>&lt; 1.0 x 10<sup>-14</sup> @ 0V ; &lt; 5.7 x 10<sup>-14</sup> @ -10V</b>
Element Spacing	<b>&lt;20 microns</b>
Crosstalk	<b>&lt; 1%</b>

**RoHS Compliant**